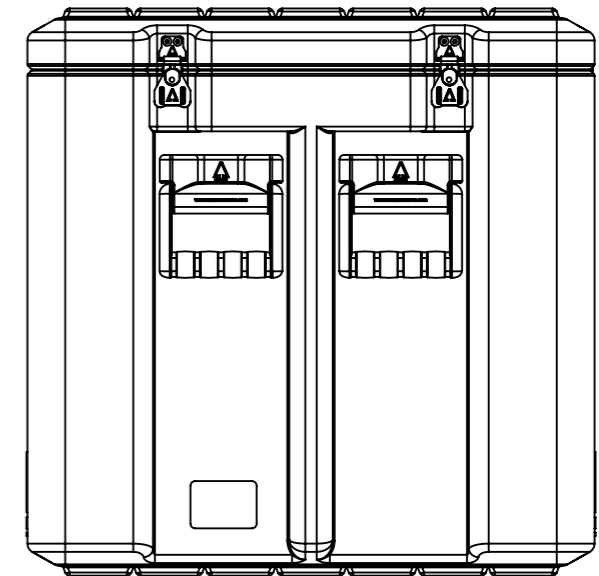
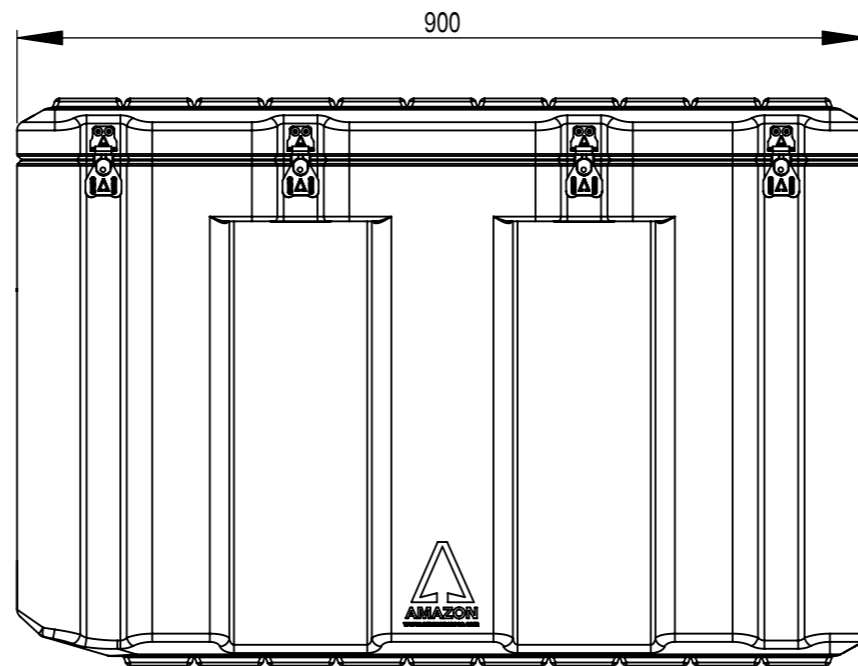
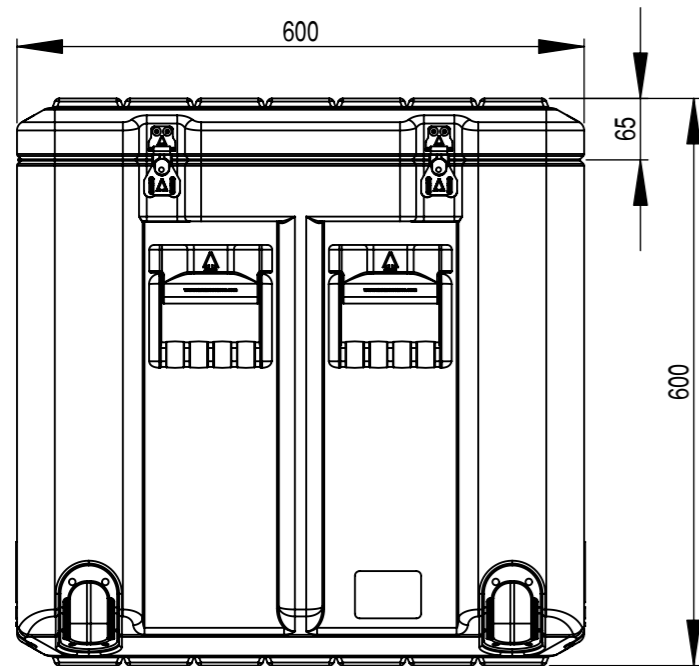
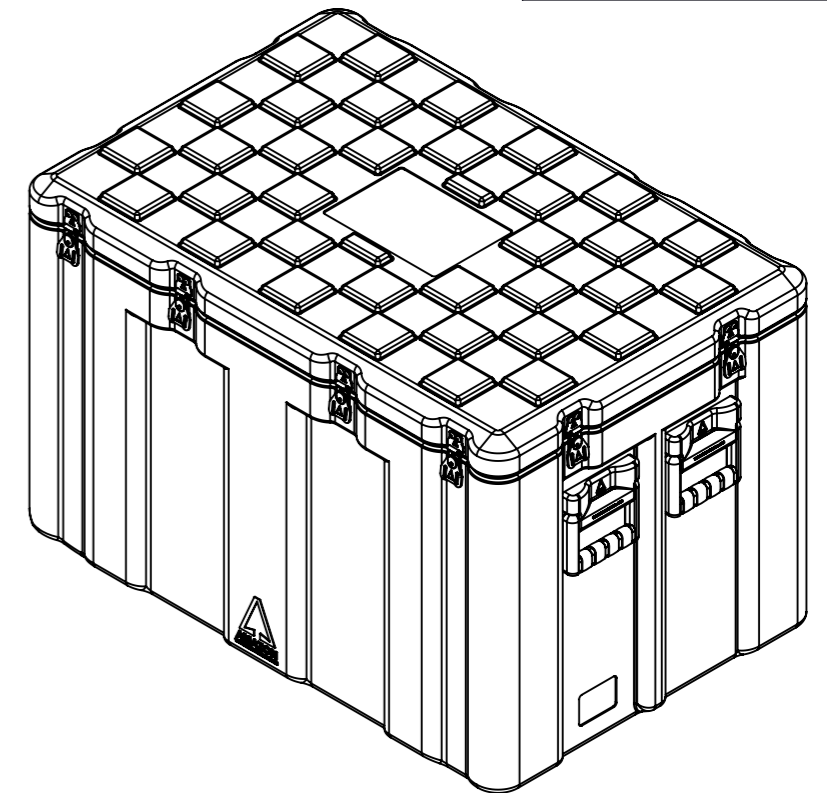
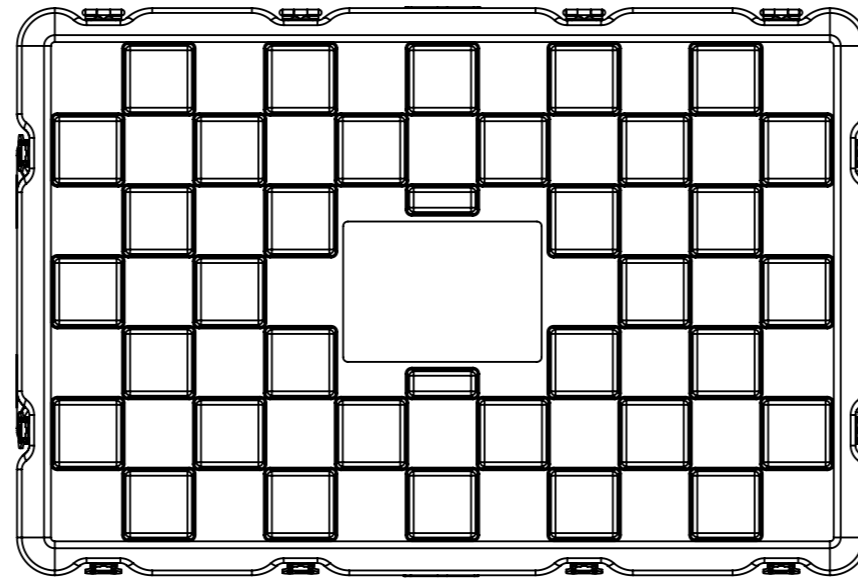
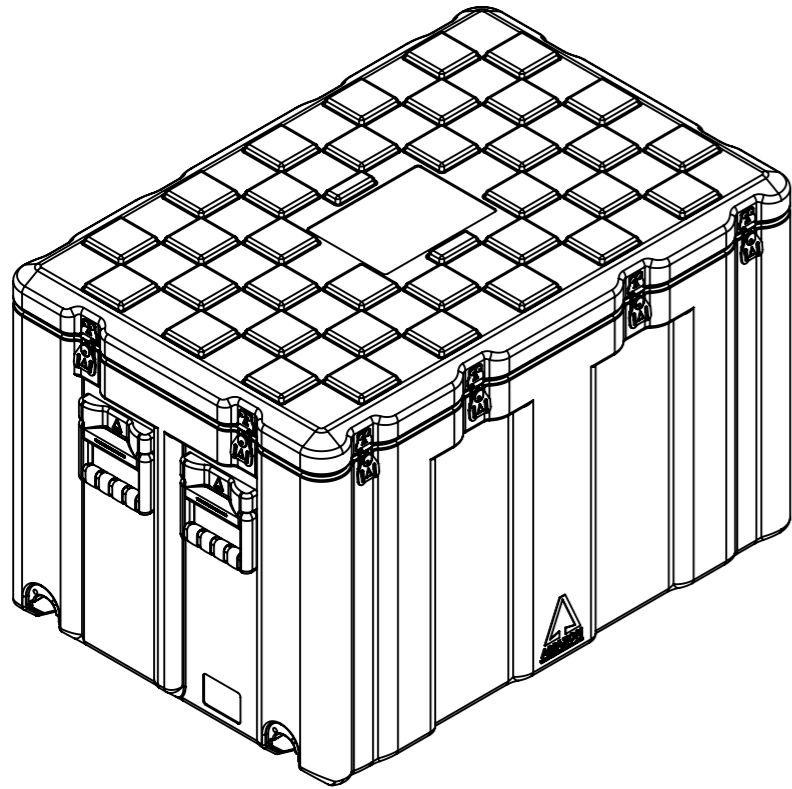


Do not scale

Third angle projection 

All dimensions in millimetres



Case options include:

- Pressure relief valves
- Humidity indicators
- Wheels
- Various colours
- Foam internals

Please phone for more options

Physical Specifications			
Weight (Kg)	21.4	Volume (m³)	0.324
External Dimensions (mm)		Internal Dimensions (mm)	
Length	900	Length	840
Width	600	Width	540
Height	600	Height	560
Hardware			
No of Handles	4	No of Catches	8

Copyright © 2007 Amazon Cases
 This drawing is the property of Amazon Cases & the information on it is confidential & it is not to be used for any other purpose without the prior written consent of Amazon Cases

Material
Polyethylene

Colour
Various Colours Available



Amazon Cases
 Worton Hall Industrial Estate
 Worton Road
 Isleworth
 Middlesex
 TW7 6ER
 UK

Title		Amazon Case - AC906060		
Drawn By	Date	Drg. No.	Sheet No.	Issue No.
GS	11/07/06	AC906060	1 Of 1	1