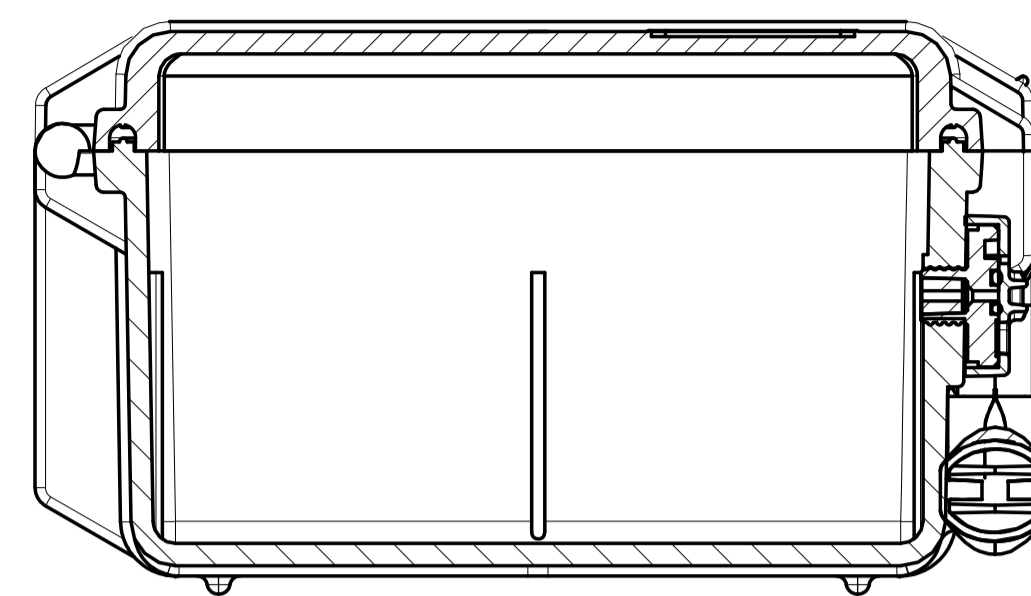
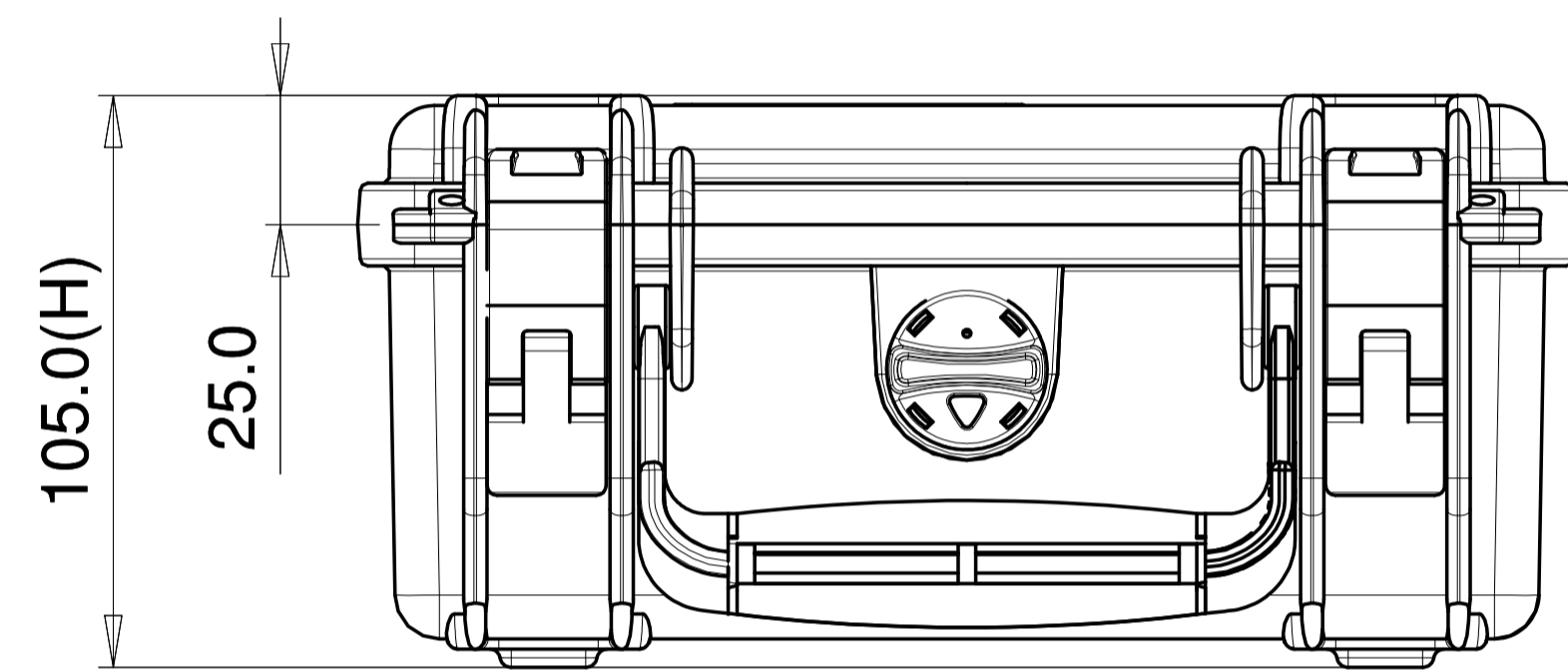


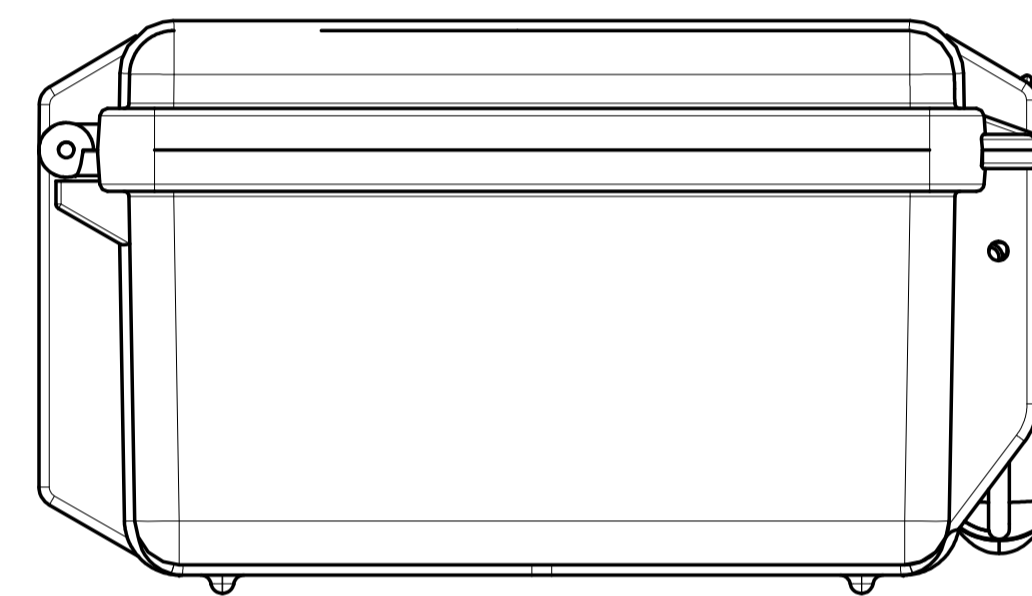
SEZ A-A



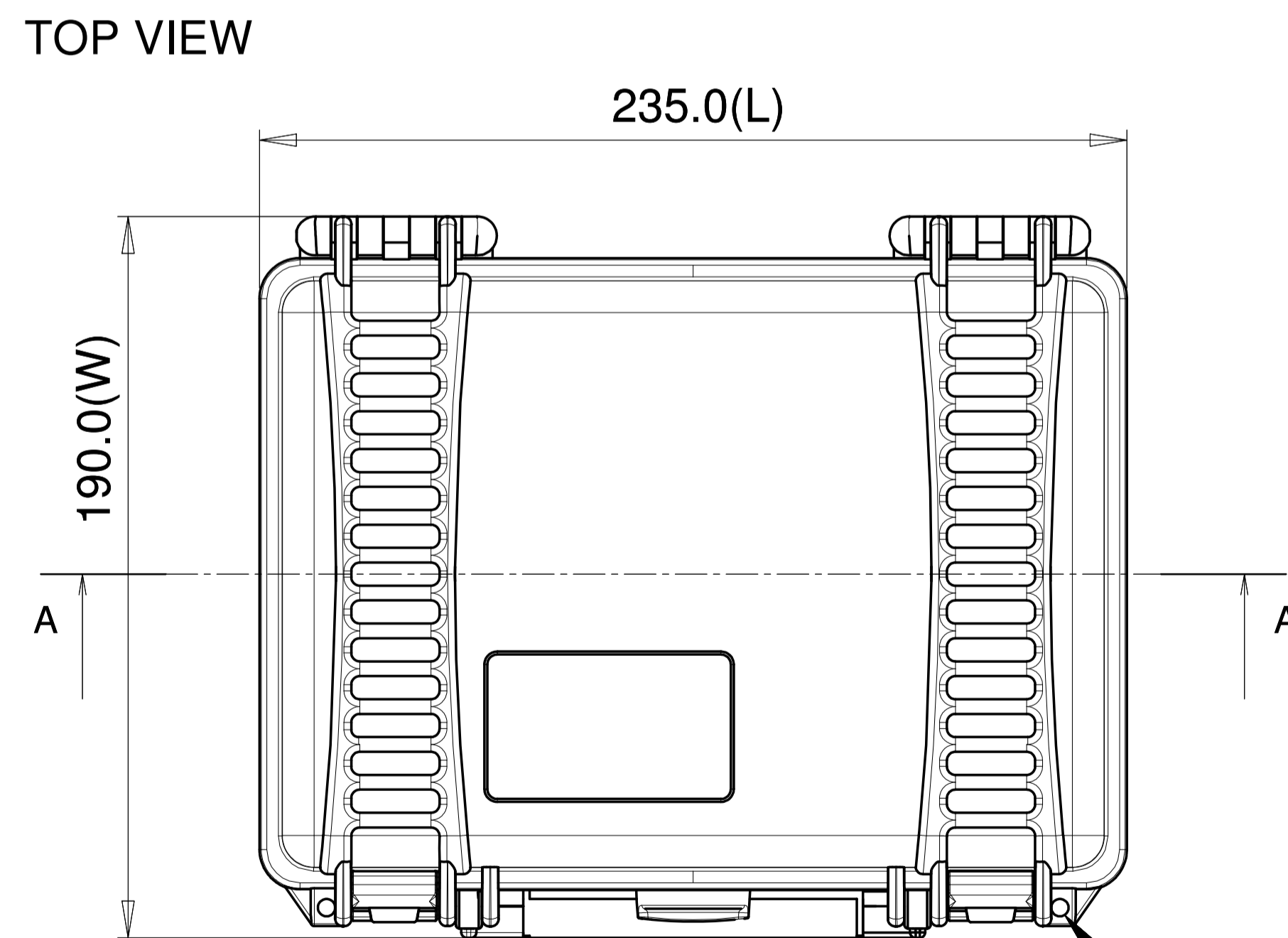
RIGHT SIDE VIEW



FRONT VIEW



SEZ B-B

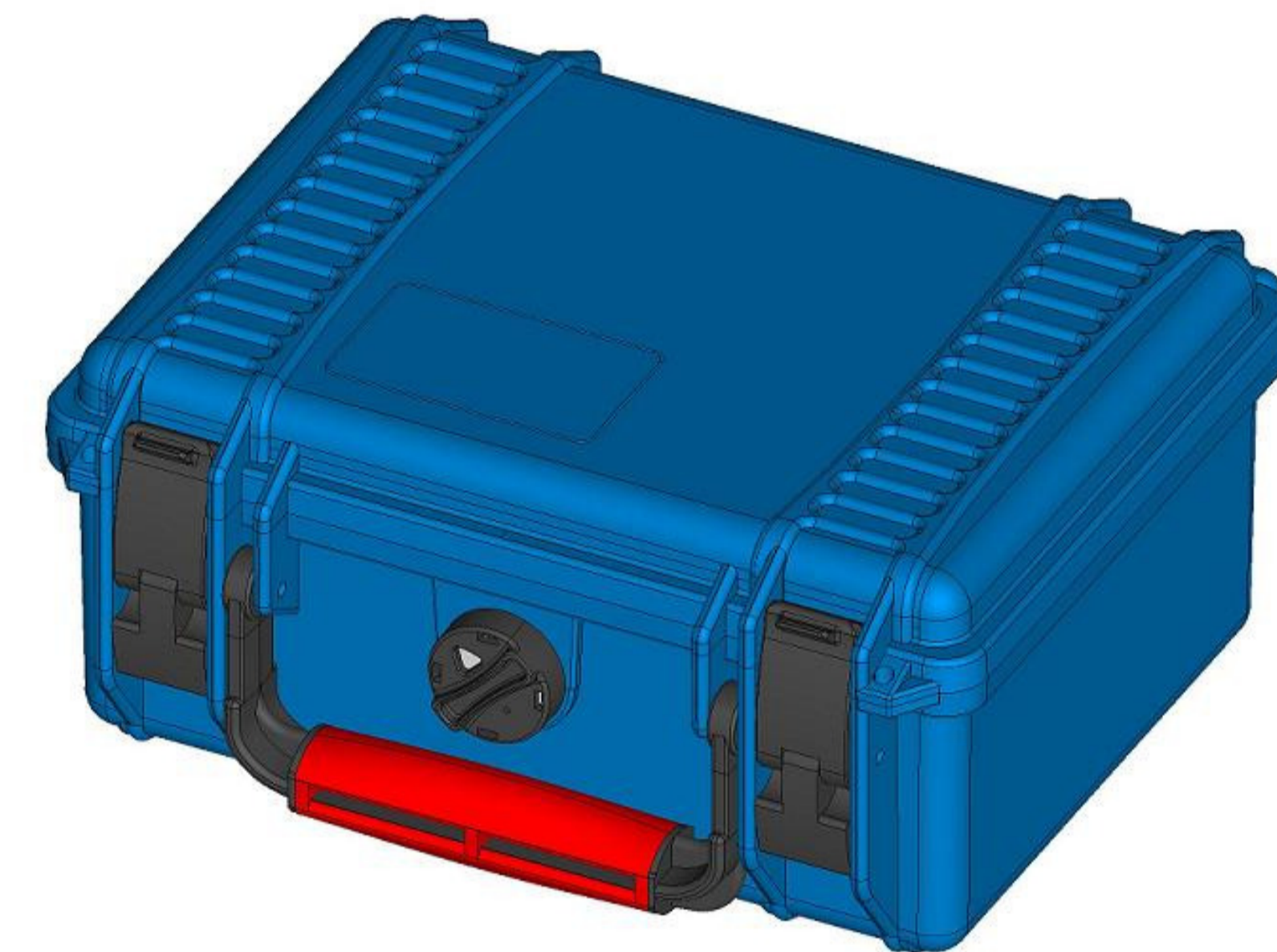


TOP VIEW

PADLOCKABLE

Plaber S.r.l reserves the right to modify its products at any time and without notice , in order to better their quality and functionality. Therefore, all the information given in this datasheet is to be considered indicative and subject to possible modifications. For colours and accessories, see literature HPRC.

Model No. :	AMRE2100
Case Weight (Empty)	0.70 Kg (1.54 lbs)
Interior Length	215.0 mm ( 8.46 in)
Interior Width	150.0 mm (5.91 in)
Interior Height (overall)	95.0 mm (3.74 in)
Interior Lid Height	18.0 mm (0.71 in)
Exterior Length (L)	235.0 mm (9.26 in)
Exterior Width (W)	190.0 mm (7.48 in)
Exterior Height (H)	105.0 mm (4.13 in)
Exterior Lid Height	25.0 mm (0.98 in)
Buoyancy	1.50 Kg (3.30 lbs)



**HIGH PERFORMANCE  
RESIN CASES**



Scala :

Plaber S.r.l - Via divisione tridentina, 10  
I-36061 Bassano del grappa  
Vicenza - Italy  
Tel. +39 0424 809150  
Fax +39 0424 808548  
<http://info@hprc.it>  
[www.hprc.it](http://www.hprc.it)  
Skype: HPRC\_helpdesk  
VAT: IT03312270246

Model No: **AMRE2100**