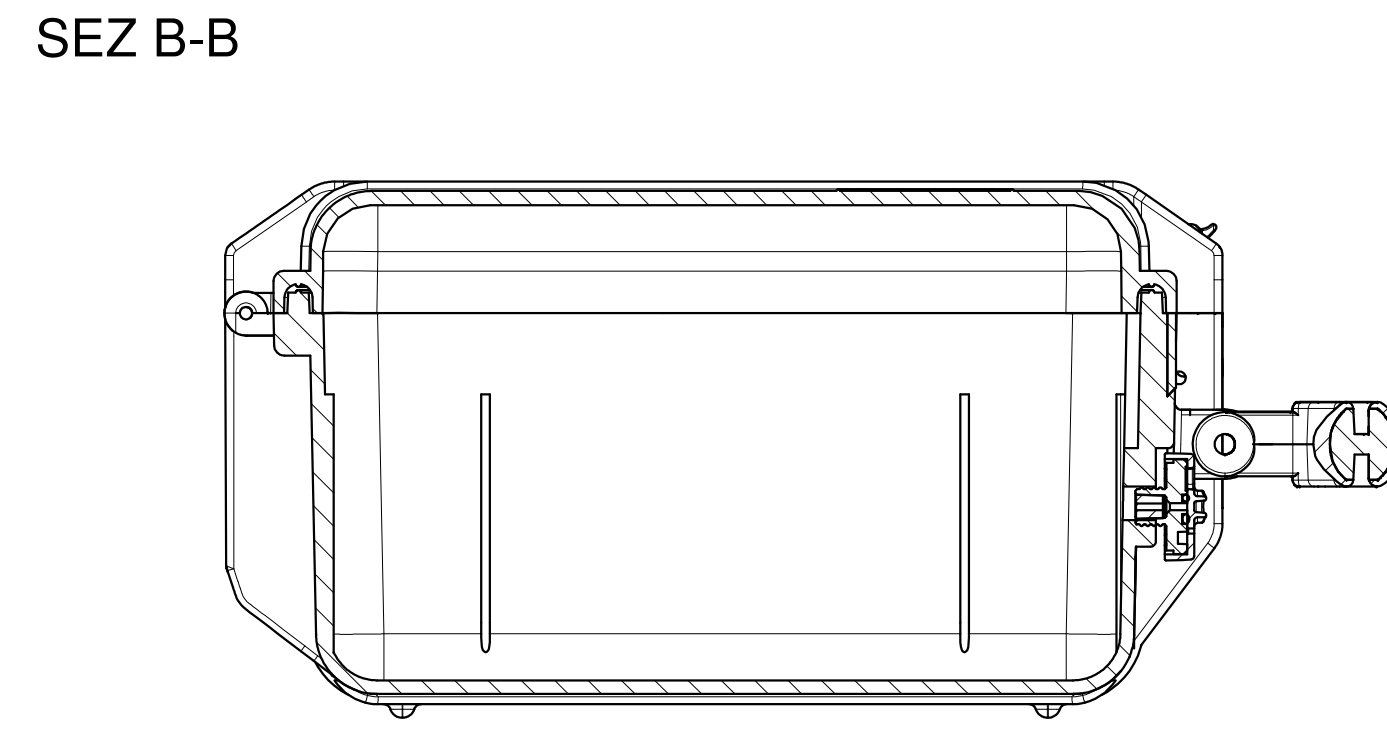
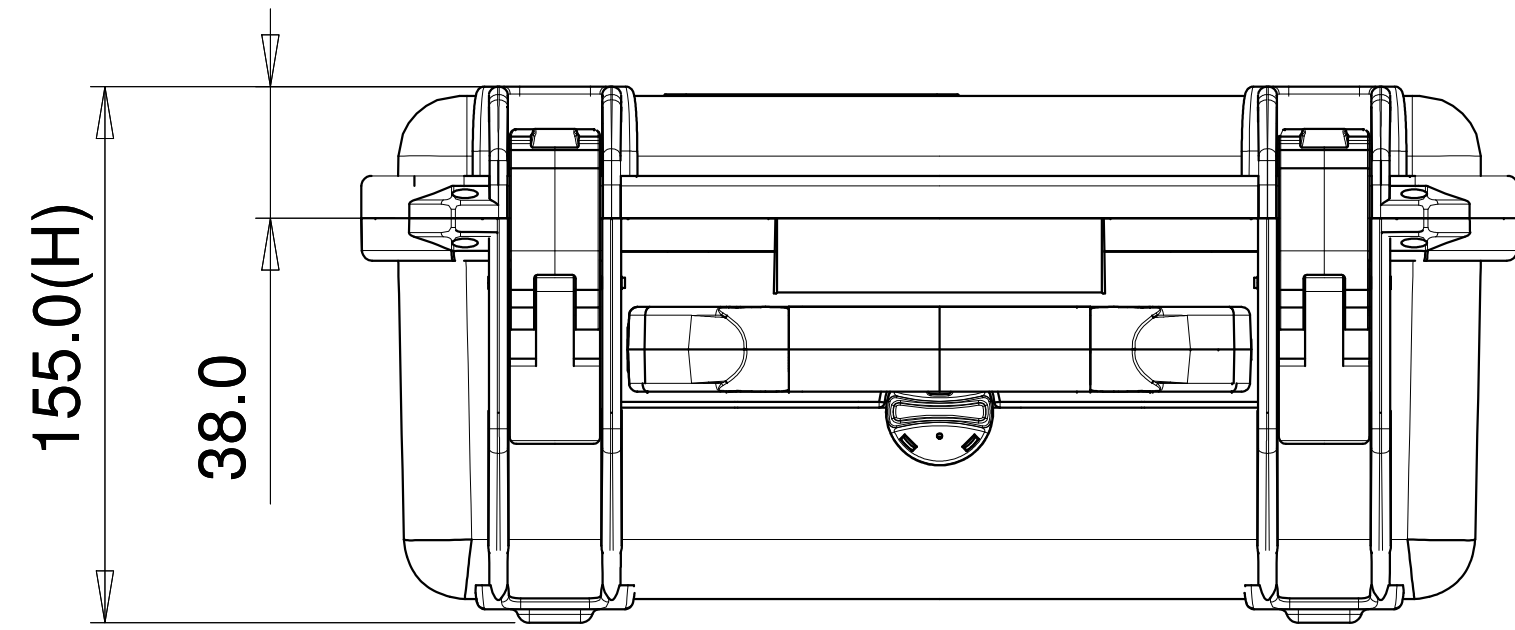


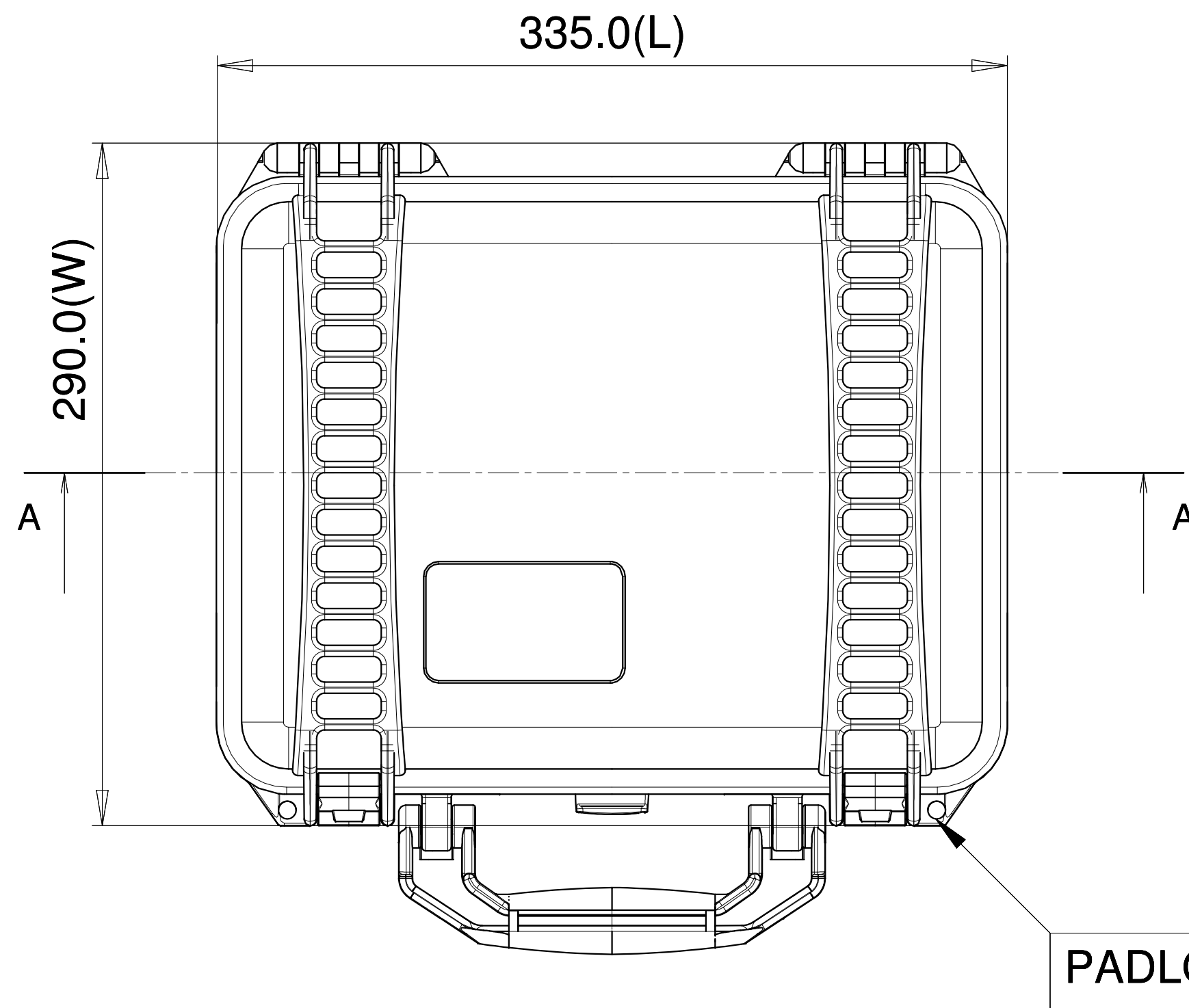
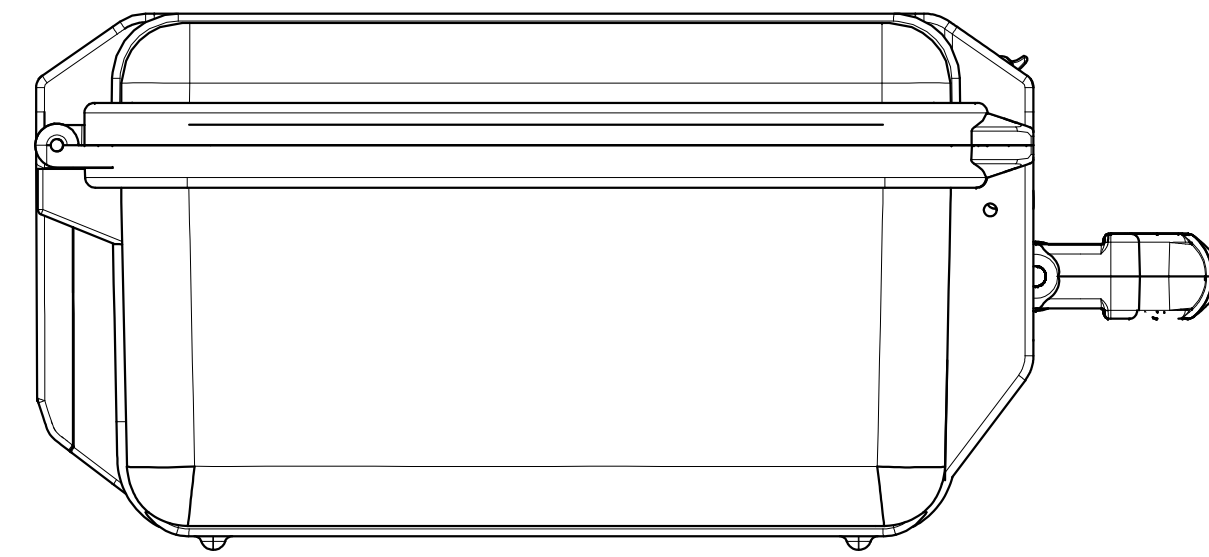
FRONT VIEW



RIGHT SIDE VIEW

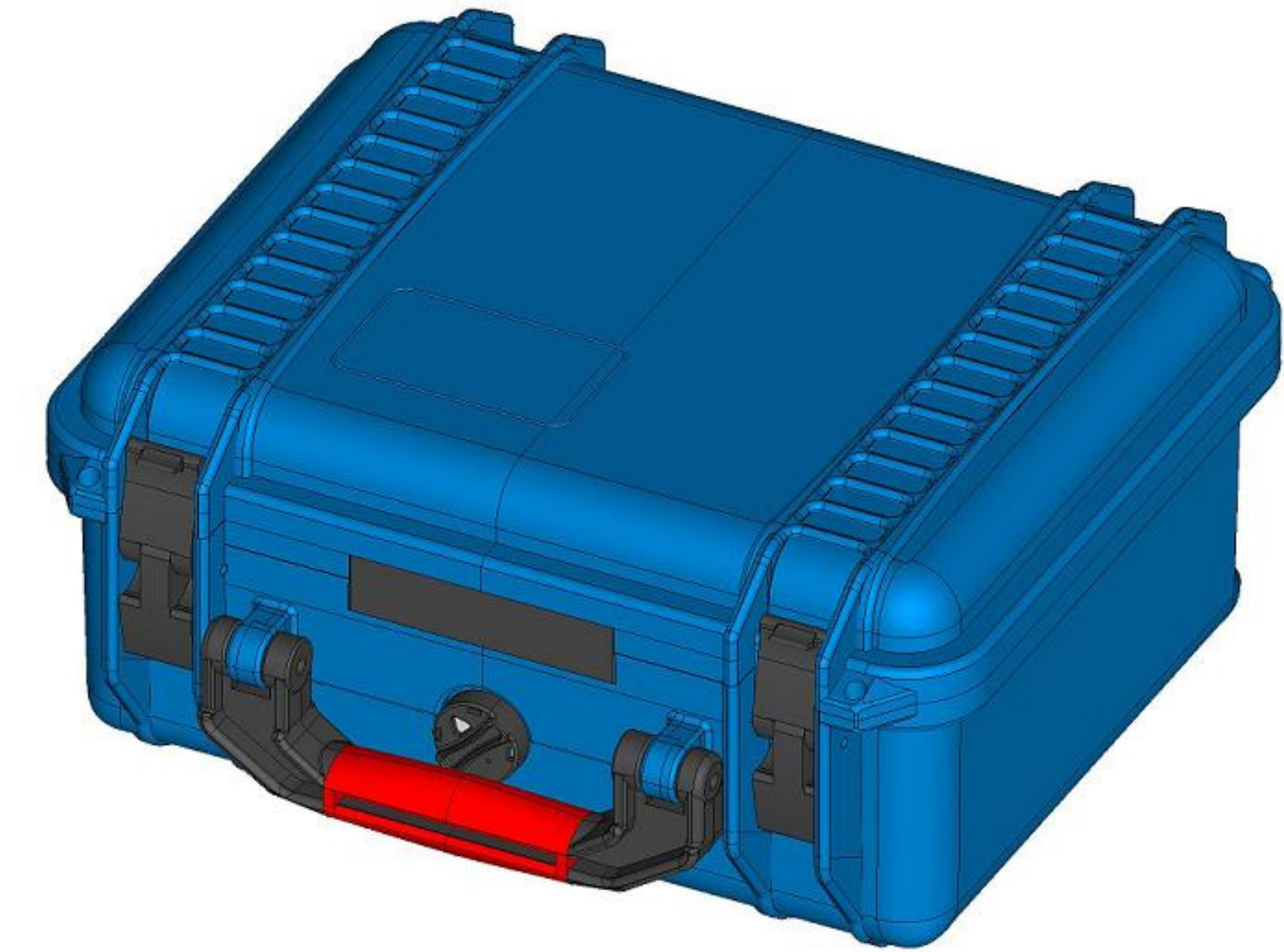


TOP VIEW



PADLOCKABLE

Model No. :	AMRE2300
Case Weight (lbs. Empty)	1.40 Kg (3.08 lbs)
Interior Length	305.0 mm (12.0 in)
Interior Width	230.0 mm (9.06 in)
Interior Height (overall)	145.0 mm (5.71 in)
Interior Lid Height	32.0 mm (1.26 in)
Exterior Length (L)	335.0 mm (13.19 in)
Exterior Width (W)	290.0 mm (11.42 in)
Exterior Height (H)	155.0 mm (6.10 in)
Exterior Lid Height	38.0 mm (1.50 in)
Buoyancy	6.60 Kg (14.54 lbs)



Plaber S.r.l reserves the right to modify its products at any time and without notice , in order to better their quality and functionality. Therefore, all the information given in this datasheet is to be considered indicative and subject to possible modifications. For colours and, interiors and accessories, see literature HPRC

**HIGH PERFORMANCE RESIN CASES**



Scala :

Plaber S.r.l - Via divisione tridentina, 10  
I-36061 Bassano del grappa  
Vicenza - Italy  
Tel. +39 0424 809150  
Fax +39 0424 808548  
<http://info@hprc.it>  
[www.hprc.it](http://www.hprc.it)  
Skype: HPRC\_helpdesk  
VAT: IT03312270246

Model No: **AMRE2300**