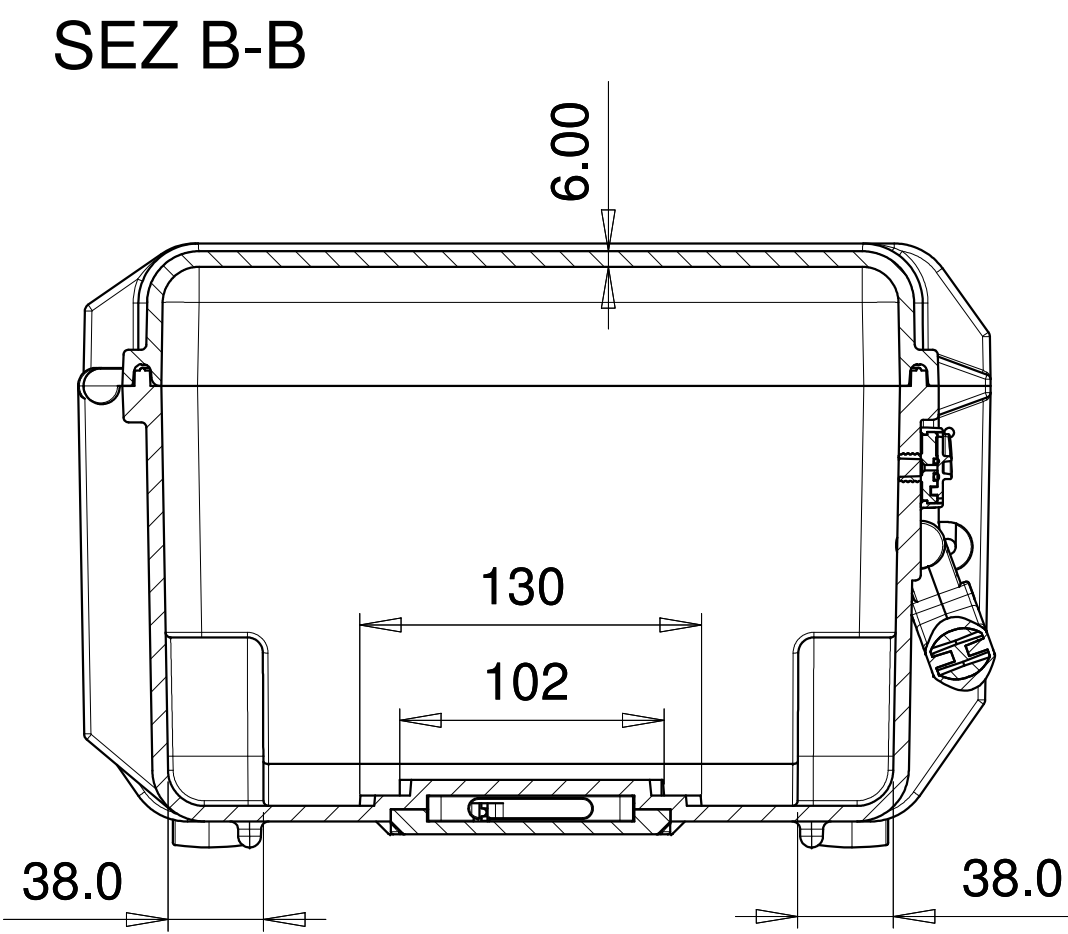
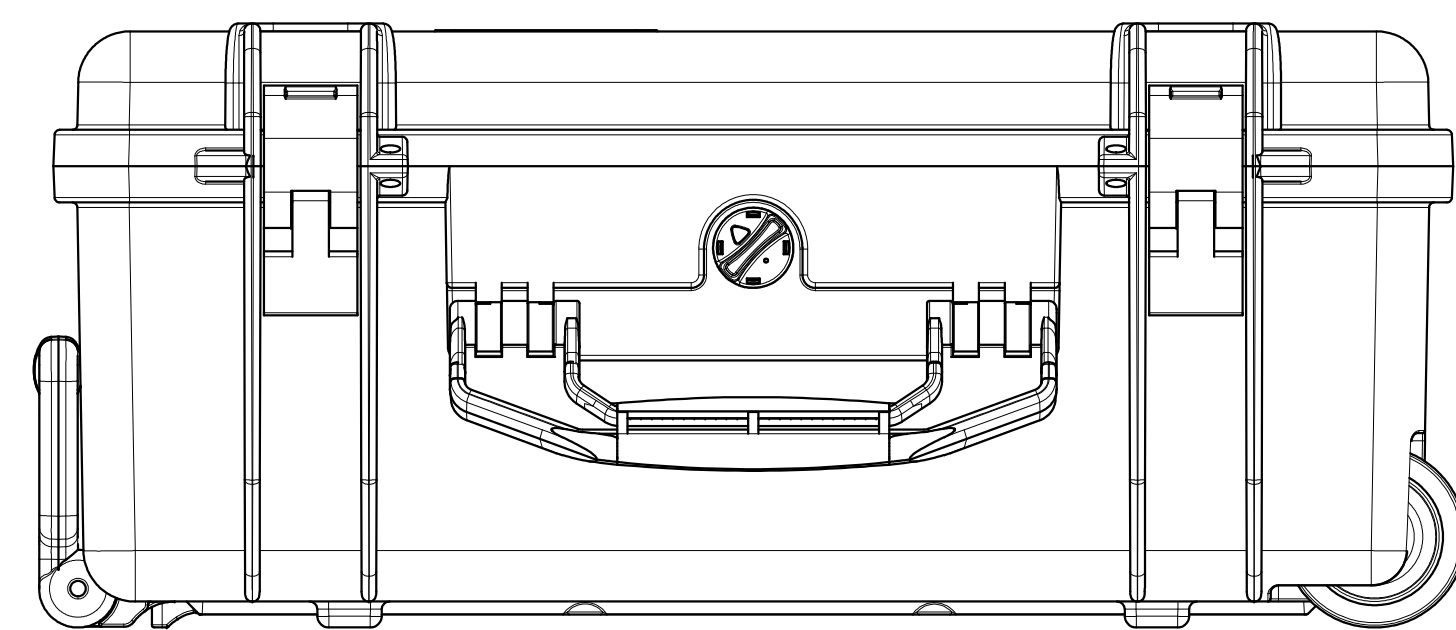


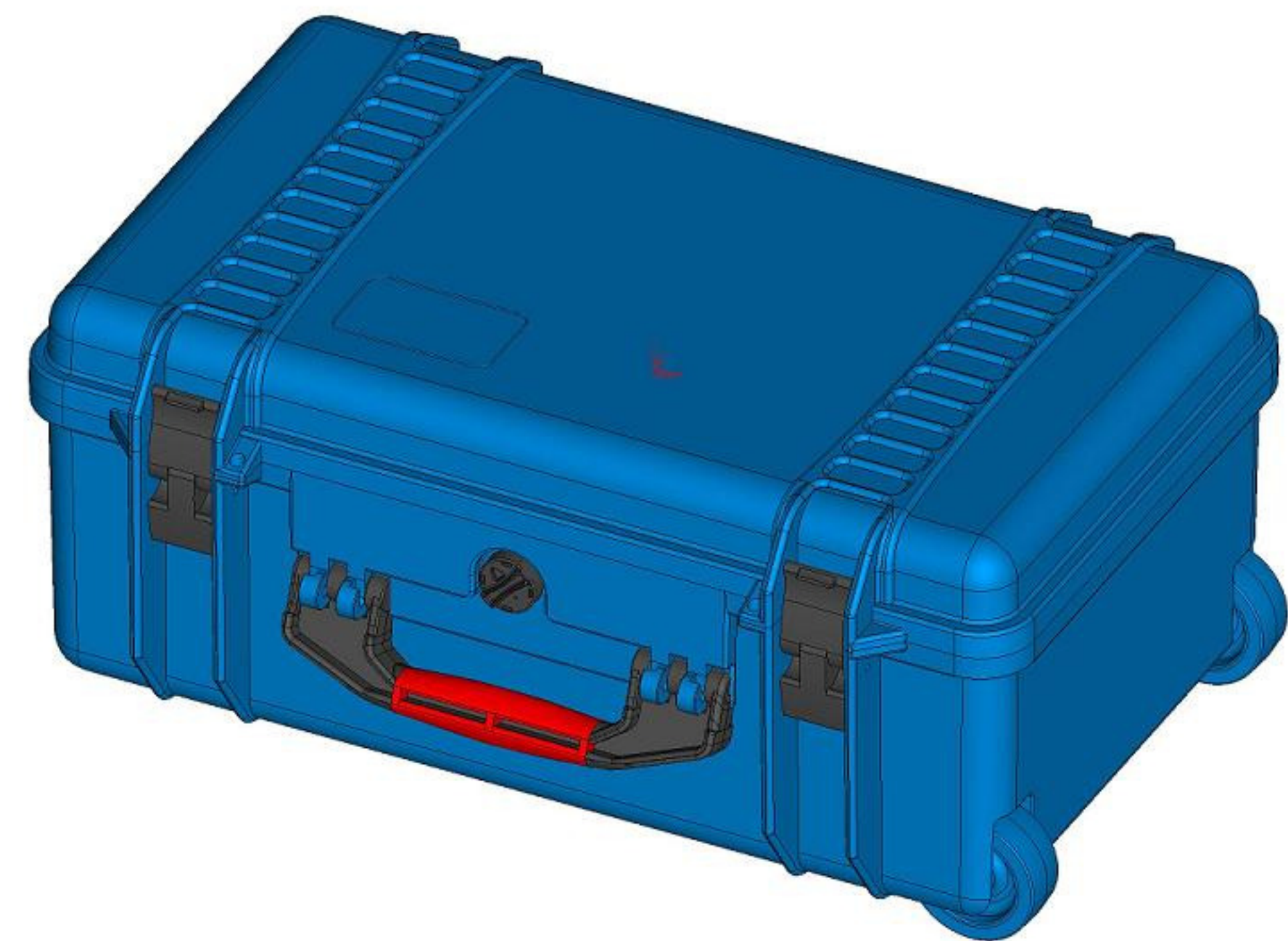
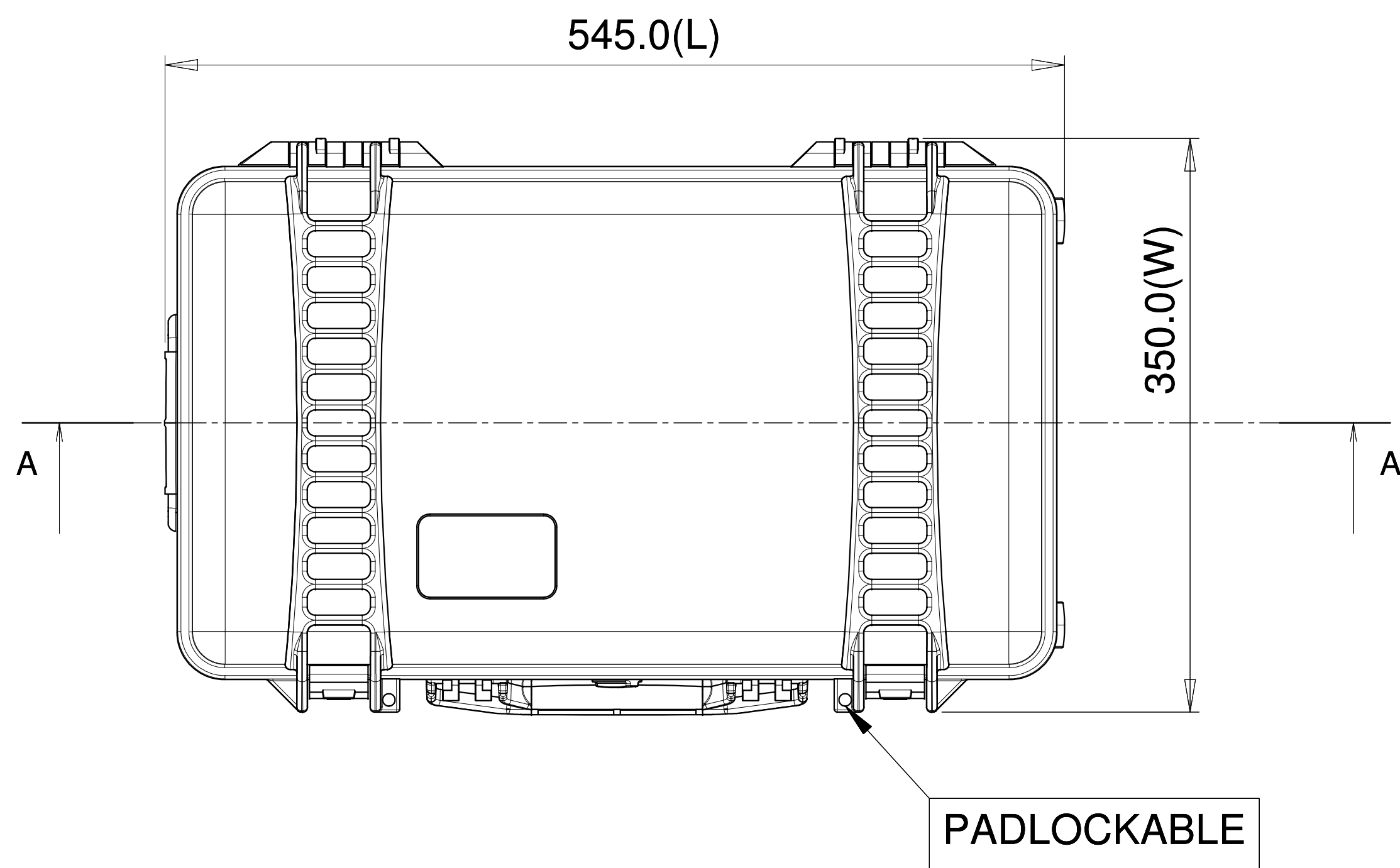
FRONT VIEW



RIGHT SIDE VIEW



TOP VIEW



Model No. :	AMRE2500W
Case Weight (lbs. Empty)	5.10 Kg (11.24 lbs)
Interior Length	510.0 mm (20.08 in)
Interior Width	285.0 mm (11.22 in)
Interior Height (overall)	200.0 mm (7.87 in)
Interior Lid Height	45.0 mm (1.77 in)
Exterior Length (L)	545.0 mm (21.46 in)
Exterior Width (W)	350.0 mm (13.78 in)
Exterior Height (H)	230.0 mm (9.05 in)
Exterior Lid Height	53.0 mm (2.08 in)
Buoyancy	17.00 Kg (37.47 lbs)

**HIGH PERFORMANCE
RESIN CASES**



Scala :

Plaber S.r.l - Via divisione tridentina, 10
I-36061 Bassano del grappa
Vicenza - Italy
Tel. +39 0424 809150
Fax +39 0424 808548
<http://info@hprc.it>
www.hprc.it
Skype: HPRC_helpdesk
VAT: IT03312270246

Model No:

AMRE2500W

Plaber S.r.l reserves the right to modify its products at any time and without notice ,
in order to better their quality and functionality.
Therefore, all the information given in this datasheet is to be considered indicative
and subject to possible modifications. For colours, interiors and accessories, see literature HPRC.