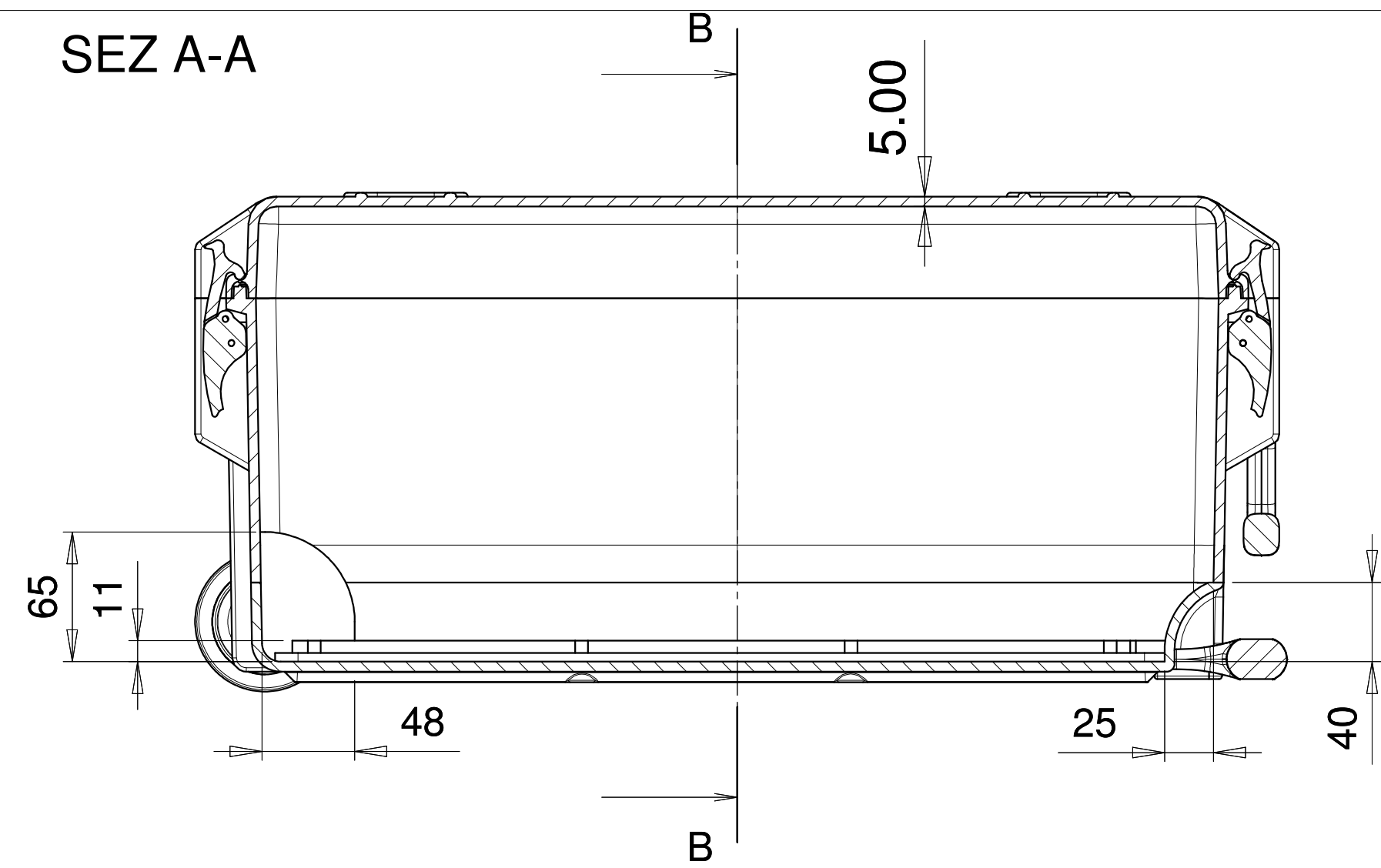
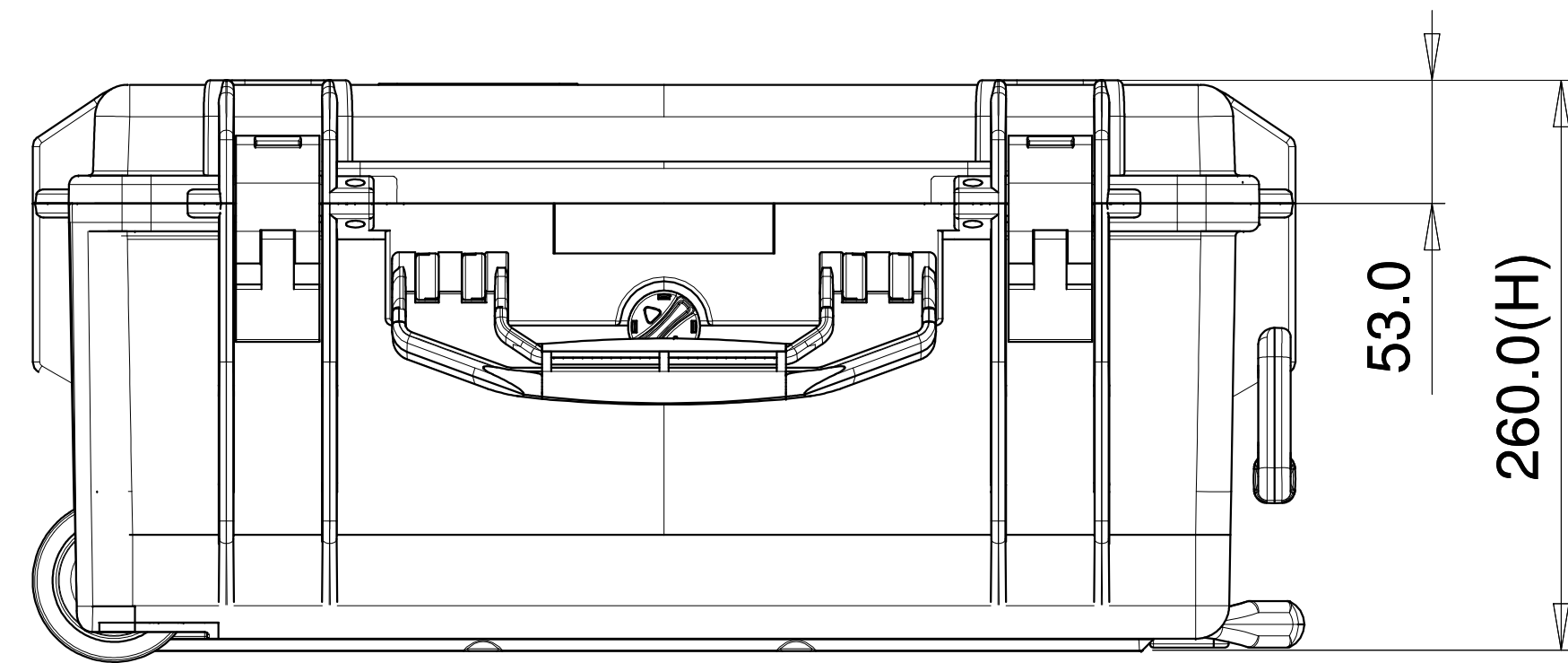


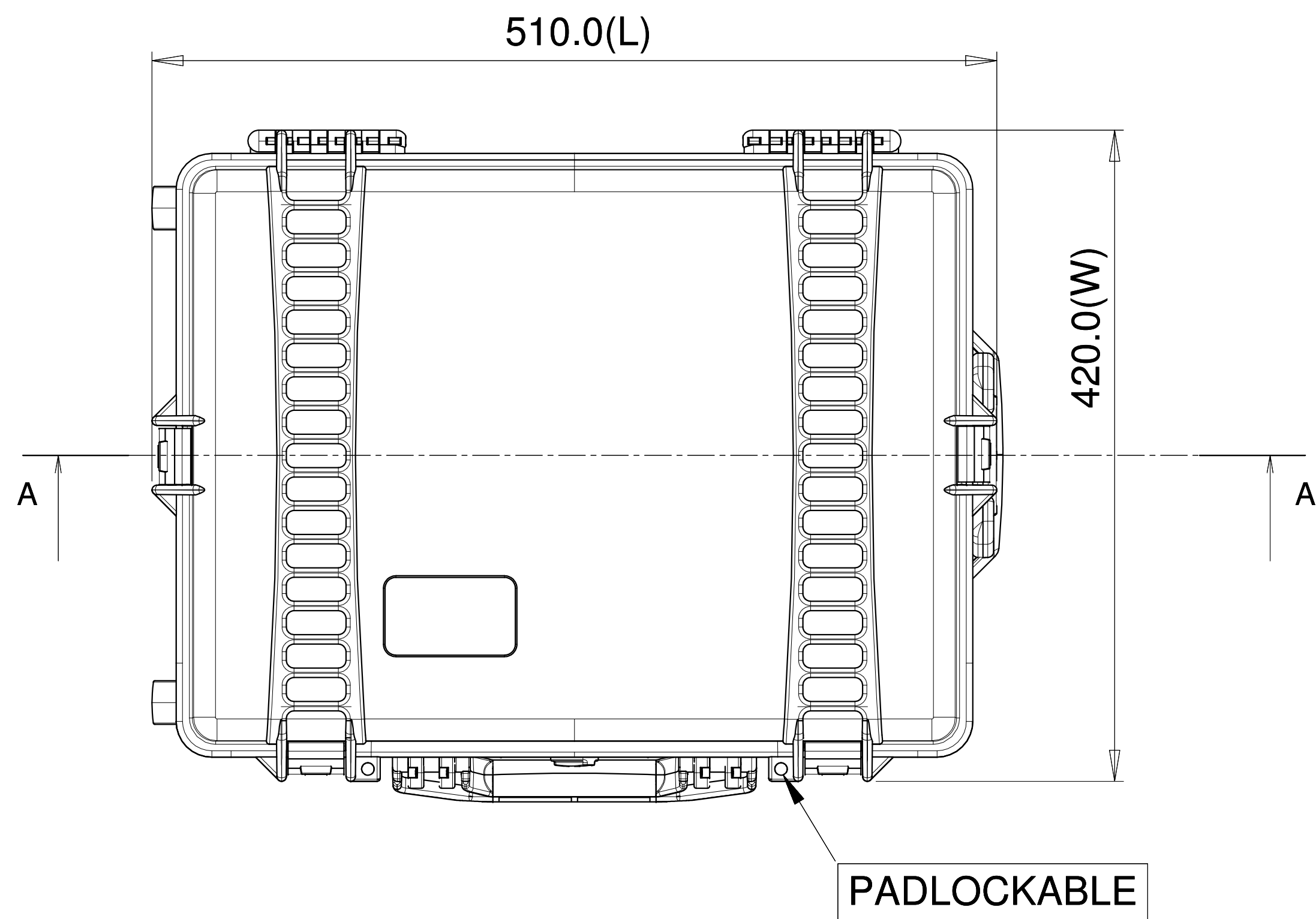
SEZ A-A



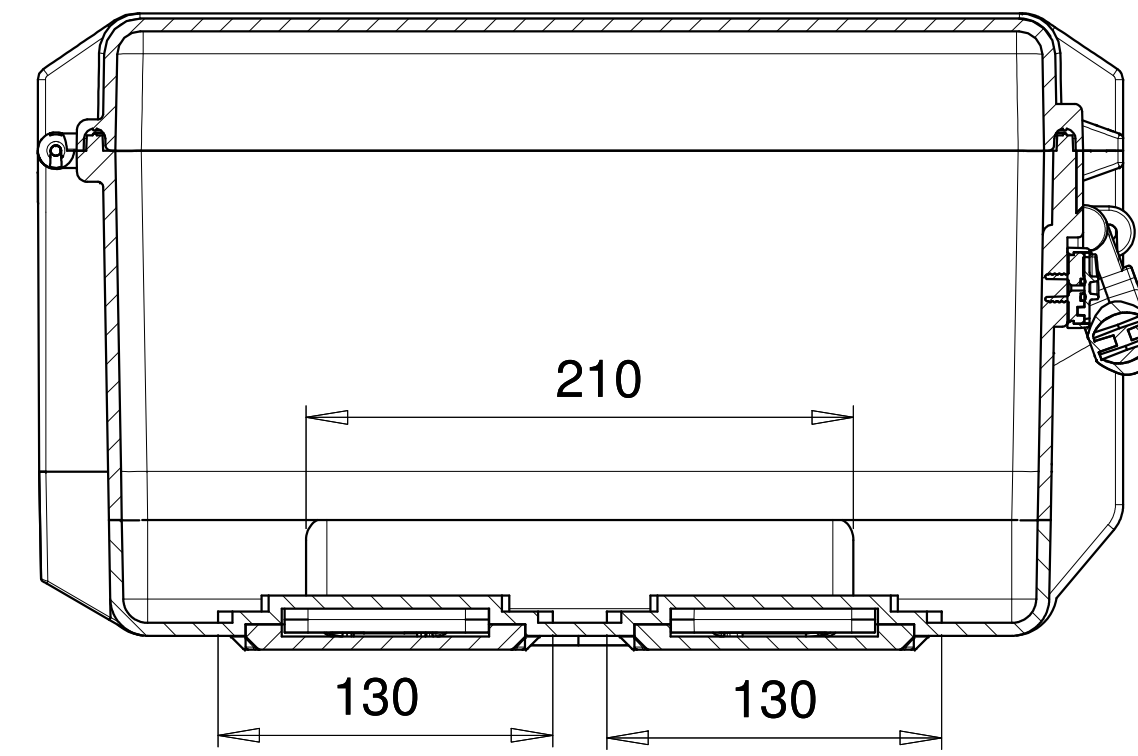
FRONT VIEW



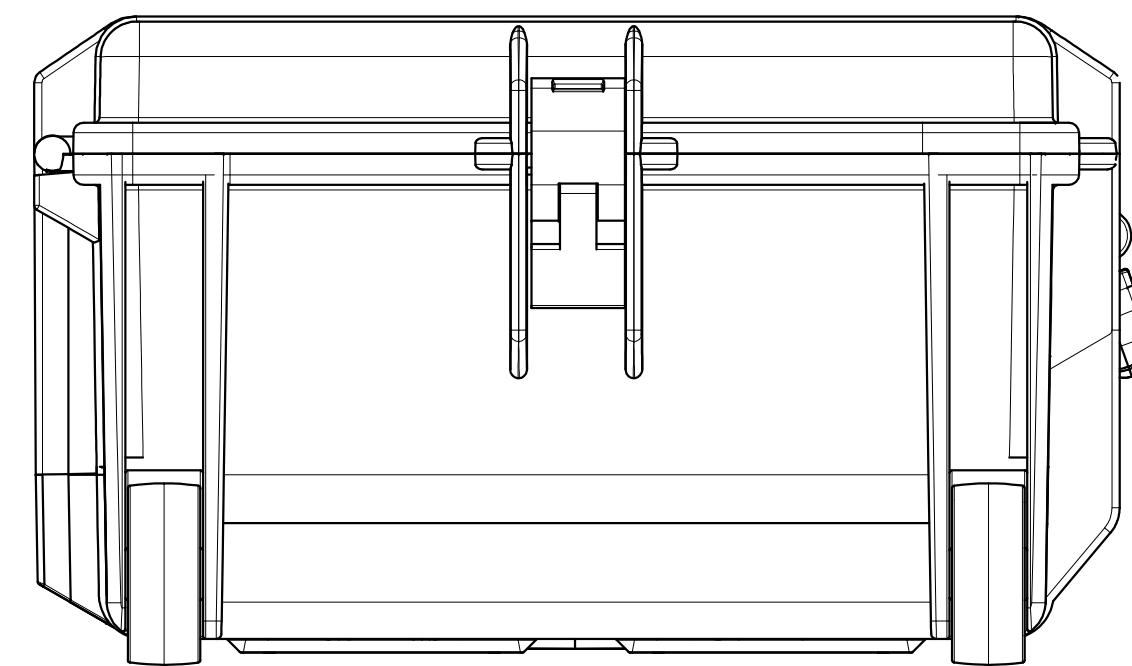
TOP VIEW



SEZ B-B



RIGHT SIDE VIEW



Model No. :	AMRE2600W
Case Weight (lbs. Empty)	6.20 Kg (9.03 lbs)
Interior Length	480.0 mm (18.90 in)
Interior Width	360.0 mm (14.17 in)
Interior Height (overall)	240.0 mm (7.87 in)
Interior Lid Height	45.0 mm (1.77 in)
Exterior Length (L)	510.0 mm (20.08 in)
Exterior Width (W)	420.0 mm (16.53 in)
Exterior Height (H)	260.0 mm (8.46 in)
Exterior Lid Height	53.0 mm (2.08 in)
Buoyancy	25.90 Kg (57.09 lbs)



HIGH PERFORMANCE RESIN CASES



Scala :

Plaber S.r.l - Via divisione tridentina, 10
I-36061 Bassano del grappa
Vicenza - Italy
Tel. +39 0424 809150
Fax +39 0424 808548
<http://info@hprc.it>
www.hprc.it
Skype: HPRC_helpdesk
VAT: IT03312270246

Model No:

AMRE2600W

Plaber S.r.l reserves the right to modify its products at any time and without notice ,
in order to better their quality and functionality.
Therefore, all the information given in this datasheet is to be considered indicative
and subject to possible modifications. For colours, interiors and accessories, see literature HPRC.