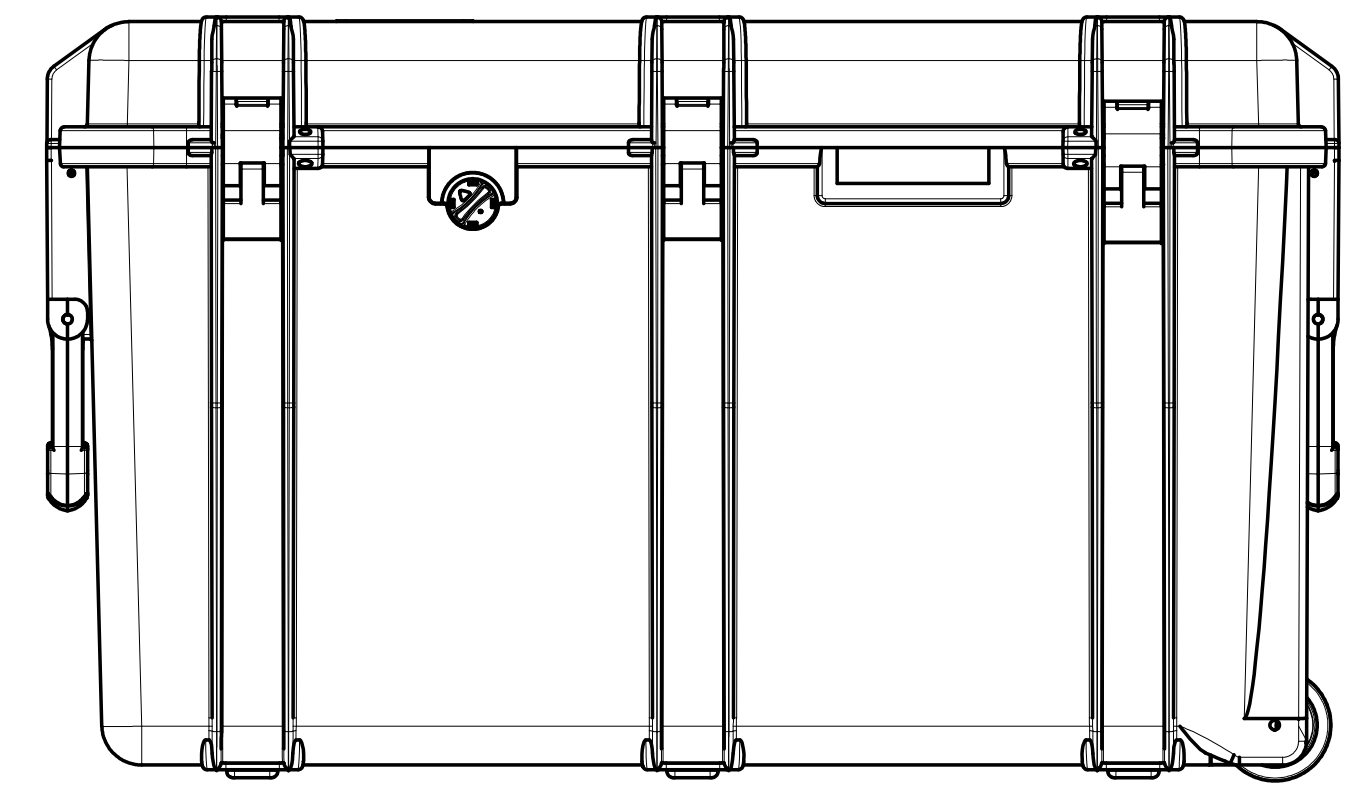
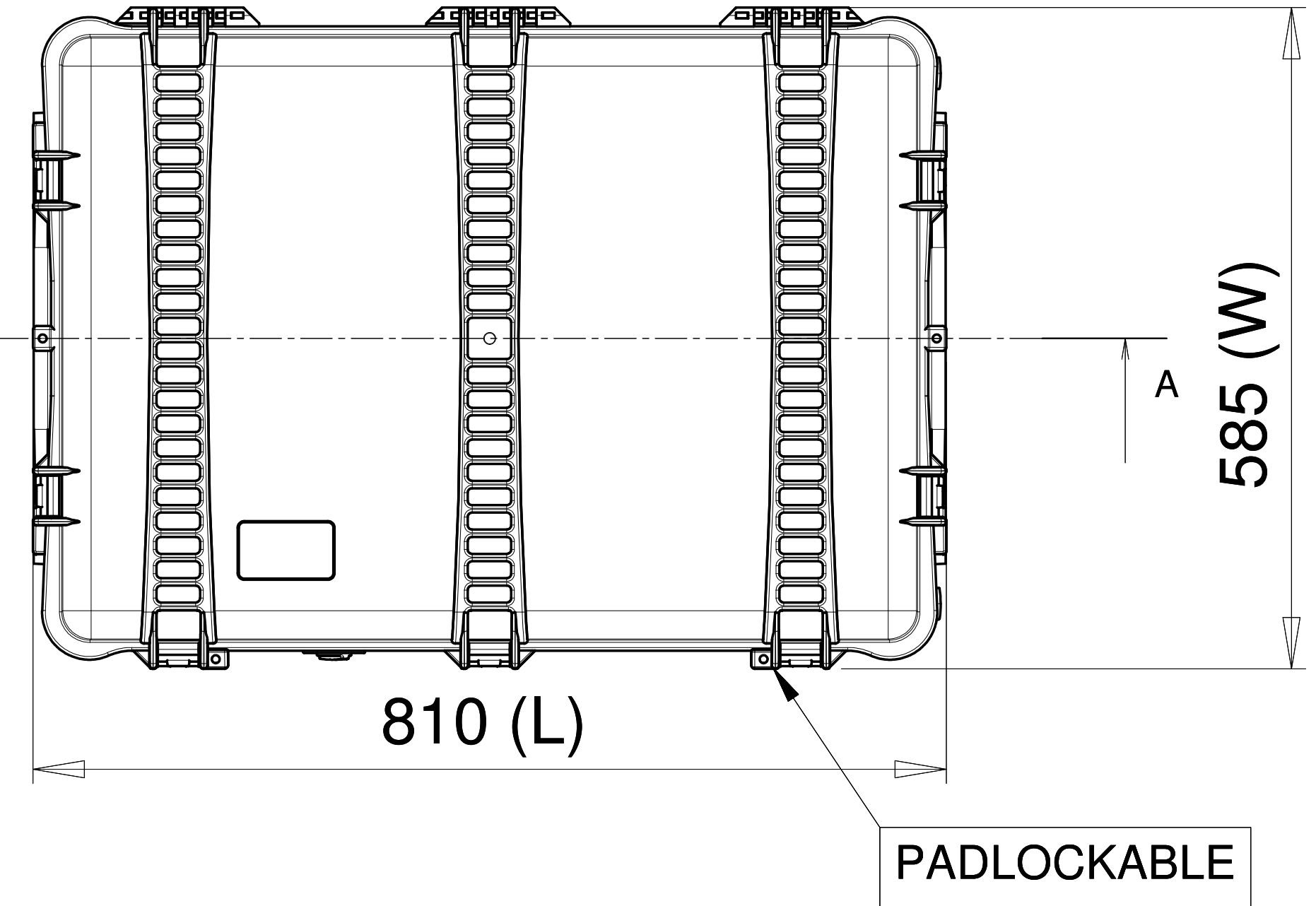


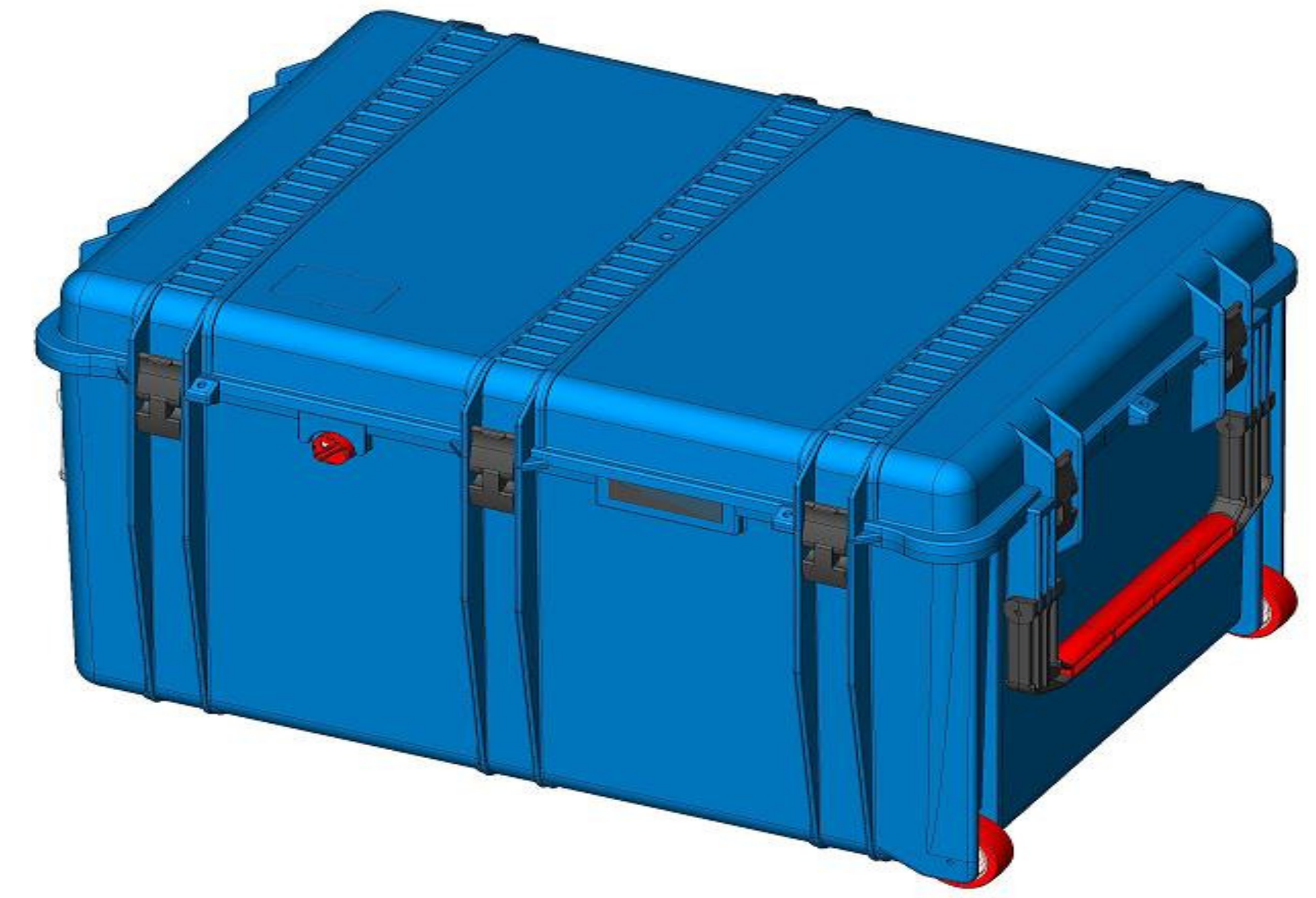
RIGHT SIDE VIEW



TOP VIEW



Case Weight (lbs. Empty)	13.5 Kg (29.63 lbs)
Interior Length	745.0 mm (29.30 in)
Interior Width	525.0 mm (20.65 in)
Interior Height (overall)	385.0 mm (15.14 in)
Interior LidHeight	73.0 mm (2.87 in)
Exterior Length (L)	810.0 mm (31.86 in)
Exterior Width (W)	585.0 mm (23.00 in)
Exterior Height (H)	480.0 mm (18.88 in)
Exterior Lid Height	82.0 mm (3.22 in)
Buoyancy	170 Kg (373.11 lbs)



Plaber S.r.l reserves the right to modify its products at any time and without notice , in order to better their quality and functionality. Therefore, all the information given in this datasheet is to be considered indicative and subject to possible modifications.

HIGH PERFORMANCE RESIN CASES



Plaber S.r.l - Via divisione tridentina, 10
 I-36061 Bassano del grappa
 Vicenza - Italy
 Tel. +39 0424 809150
 Fax +39 0424 808548
 http://info@hprc.it
 www.hprc.it
 Skype: HPRC_helpdesk
 VAT: IT03312270246

Scala :

Model No: **AMRE2800W**