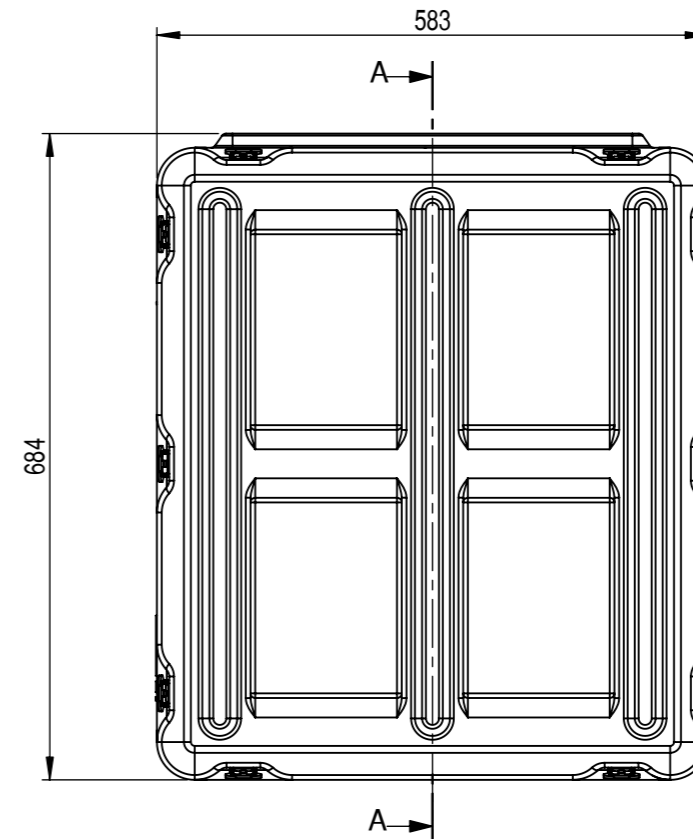
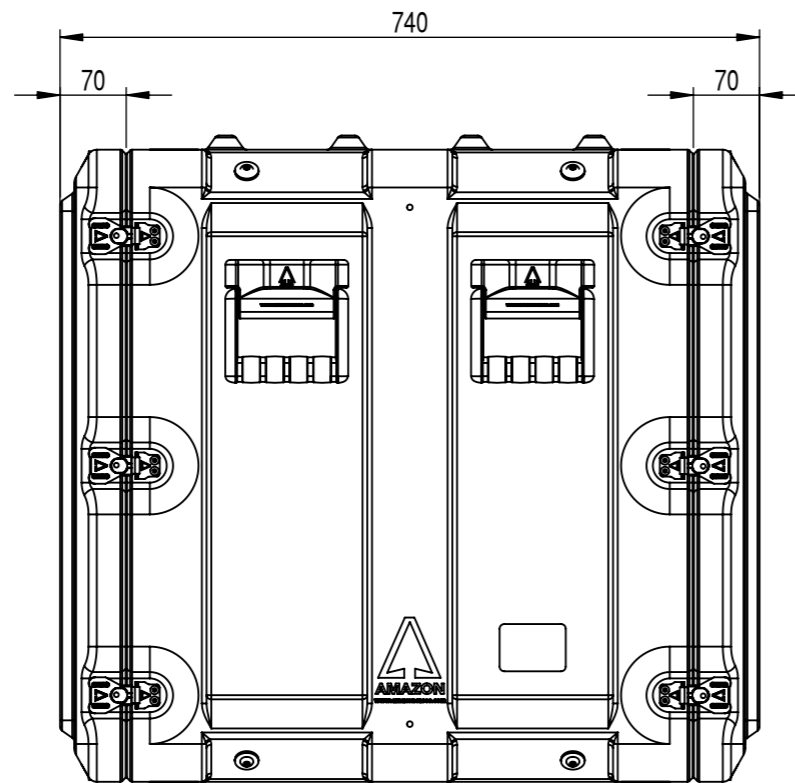
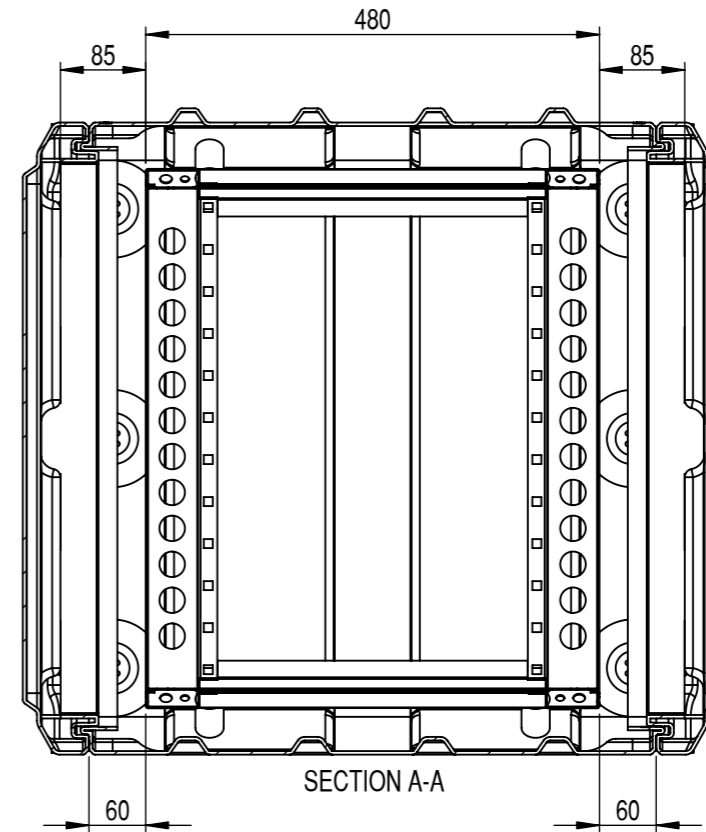
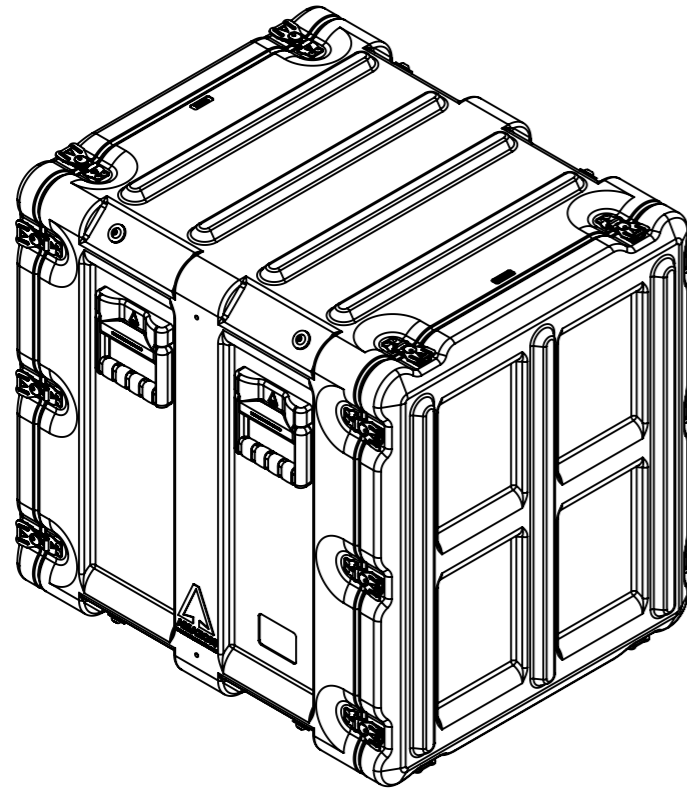


Do not scale

Third angle projection 

All dimensions in millimetres



Rack options include:
 Removable inner frame
 Pressure relief valves
 Humidity indicators
 Equipment support shelves
 19" accessories
 Various colours
 Please phone for more options

| Physical Specifications | | | |
|--------------------------|-----|---------------|------|
| Rack Size | 12U | Weight (Kg) | 24.4 |
| External Dimensions (mm) | | Hardware | |
| Height | 684 | No of Handles | 4 |
| Width | 583 | No of Catches | 20 |
| Depth | 740 | | |

Copyright © 2007 Amazon Cases
 This drawing is the property of Amazon Cases & the information on it is confidential & it is not to be used for any other purpose without the prior written consent of Amazon Cases

Material
 Polyethylene
 Colour
 Various Colours Available



Amazon Cases
 Worton Hall Industrial Estate
 Worton Road
 Isleworth
 Middlesex
 TW7 6ER
 UK

| Title | | | | |
|-----------------------------|----------|------------|-----------|-----------|
| Amazon Rack - 12U 480 Frame | | | | |
| Drawn By | Date | Drg. No. | Sheet No. | Issue No. |
| GS | 11/07/06 | AR12480707 | 1 Of 1 | 1 |