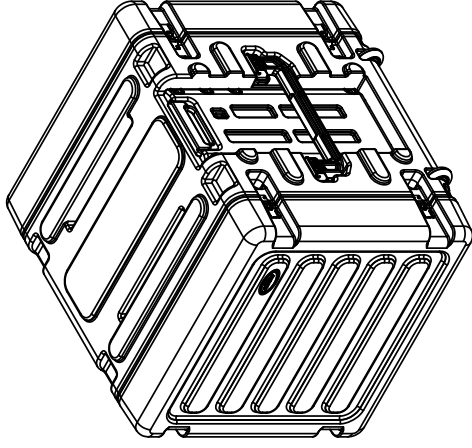


30.50"



28.00"
(19" Rack)

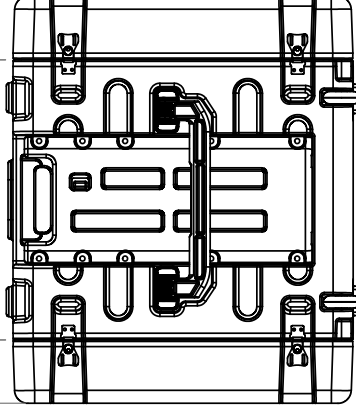


26.50"
(10U)

4.75"
(3.25")

21.00"
(20.00")

4.75"
(3.25")



434 West Levers Place
Orange, CA 92867
Phone: (714) 637-1252
Fax: (714) 637-0491
<http://www.skbcases.com>

3SKB-R910U20W

NOTE: DIMENSIONS IN (X.XX) ARE ID

Case Series:	Rolling Shock Racks	Dimensions (for reference only)			
		Length	Width	Overall	Base / Lid
Case part#	3SKB-R10U20W	left to right	front to back	height	height
Weight:	60.65 LBS EMPTY	28.00"	30.50"	26.50"	
		19" Rack	20.00"	10U	

This drawing and all information details are the sole property of SKB Corporation, Orange CA. Any unauthorized use will be punished to the full extent of the law.